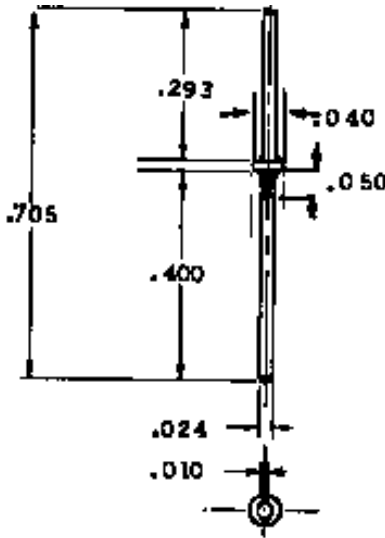


INBORD PINS TO FIT .025 DIAMETER HOLES

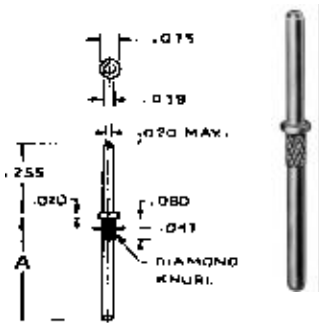
K36 SERIES

Cat.	
No.	Material & Finish
K36A	Phosphor Bronze
	Nickel plate, Gold Flash
K36C	Phosphor Bronze
	Bright tin plate
Pkg. Qty	1000



INBORD PIN APPLICATION

EYELET SOLDER
.040" dia. pins can be installed into .062" dia. holes if the T15.23 eyelet is used. Soldering provides permanency. Manual insertion of pins and retainer is accomplished with: .040" dia. pin, P133A.

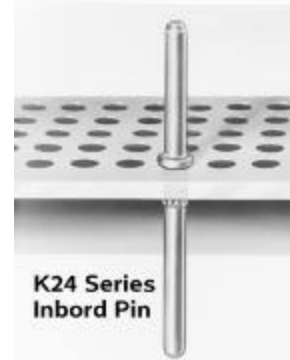


K24 SERIES

Note: New knurled shank results in greater retention and requires more insertion force. Use on G10 glass epoxy boards only.

ORDERING INFORMATION

CAT NO.	A DIM.	PKG. QTY
K24A	.375	1000
K24C	.375	1000



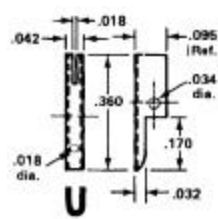
TERMINALS TO FIT .042 DIA. HOLES

PUSH-IN MICRO-KLIP TERMINALS

to fit .042" diameter holes

The T42-1 terminal resembles the widely used T28 but is smaller to fit .042" instead of .062" dia. holes. It is useful for P pattern Micro-Vectorbord and is easily pushed into such holes using a P149 tool. It needs no staking for most applications, but if desired, the portion projecting through the board hole may be flared with pliers to further secure it. The main slot will hold 3 or 4: 0.025" diameter wires, 2: 0.032" wires or 5: 0.017" diameter wires. An 0.25" dia. wire can be pushed through the longitudinal hole with the terminal mounted in the board or through the holes perpendicular to the main slot. There is also a hole in the tab which accepts .018" transistor size wires and, if used, prevents terminal pull out.

Due to the thinness of the MICRO-KLIP (.042") it is ideal for use in connecting integrated circuit leads which will lay in the slot or pass through the terminal vertically as preferred. Material is copper alloy with bright tin plating.



ORDERING INFORMATION

CAT NO.	PKG. QTY	DESCRIPTION
T42-1	100	Terminals
T42-1	1000	Terminals
P149		Manual Installing Tool-Straight type
P149A		Manual Installing Tool-Wooden handle