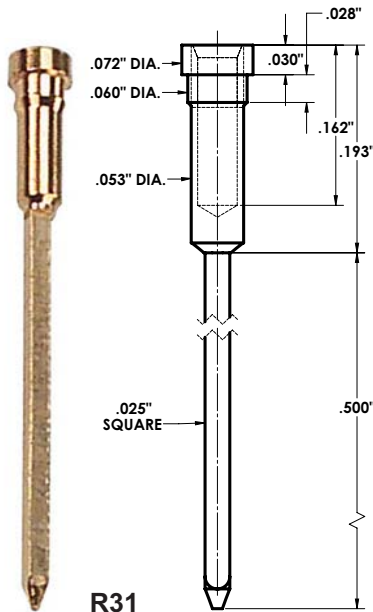


Socket pins for .055" Diameter Holes

R31, R52, R53

3A Current Rating, Brass alloy shell, sleeve & post.
Accepts .015" to .025" diameter leads



R31



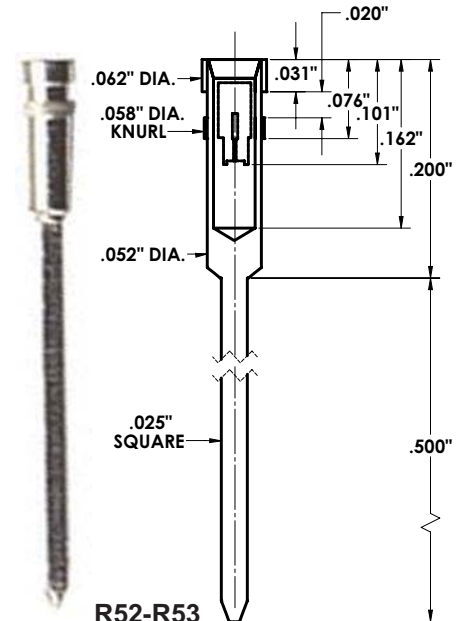
- R31**
- Three level wire wrap tail, .025" sq. posts
 - Four-finger contacts; 10 micron gold flash over nickel plating on contacts and shell/sleeve/posts.
 - Male pin/lead depth of 0.170"

- R52**
- Three level wire wrap tail, .025" sq. posts
 - Four-finger contacts; 10 micron gold flash over contacts.
 - Tin plating on outer shell, sleeve & posts
 - Male pin/lead depth 0.170"

- R53**
- Three level wire-wrap tail, .025" sq. posts
 - Six-finger contacts. 10 micron gold flash over contacts
 - Tin plating on outer shell, sleeve & posts
 - Male pin/lead depth of 0.170"

Part No.	Pkg Qty
R31/C	100
R31/M	1000

Part No.	Pkg Qty
R52/C	100
R52/M	1000
R53/C	100
R53/M	1000



R52-R53



T124 - Solder Washers

3 Sizes in Package



Multi-functional solder washer kits with three sizes of washers. Different sizes provided to fit over sockets and tails of most Vector socket pins and wiring terminals. Ideal tools for committing pins to voltage and ground planes in Vectorbord patterns, such as Voltage/Ground Plane and Vectorbord Plus™, that have clearance area isolating holes from planes.

T124/M (Includes 3 sizes)

Qty	I.D.	O.D.	Application
500	.078"	.110"	Vcc Side
500	.058"	.103"	GND Side
1000	.040"	.106"	Connector

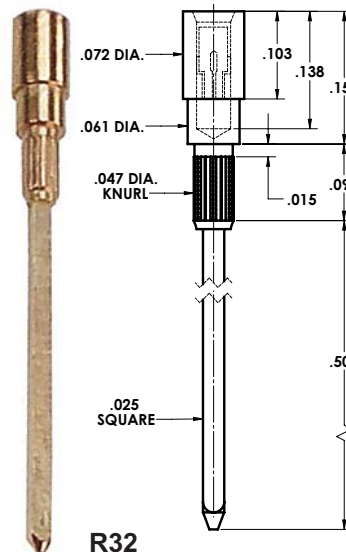
T124-040/500

Qty	I.D.	O.D.	Application
500	.040"	.106"	Connector

R32

Socket Pins for .042" diameter holes
3A internal contact current rating
Brass alloy shell, sleeve & post
Accepts .015" to .025" diameter leads

Pins
Terminals



R32

- Three-level wire-wrap tail, .025" square post
- Four-finger contacts
- 10 micron gold flash over nickel plating on contacts and shell/sleeve/posts
- Male pin/lead depth 0.130"

Use P158 Insertion Tool on Page 76
D9 Die Point

Part No.	Pkg Qty
R32/C	100
R32/M	1000

